

150x51 mm (5.9x2 in)



Impeller: Plastic PBT PC

Ambient Temperature Range: -20°C ~ +70°C

Operating Voltage Range: Rated Voltage $\pm 10\%$

Bearing: Ball

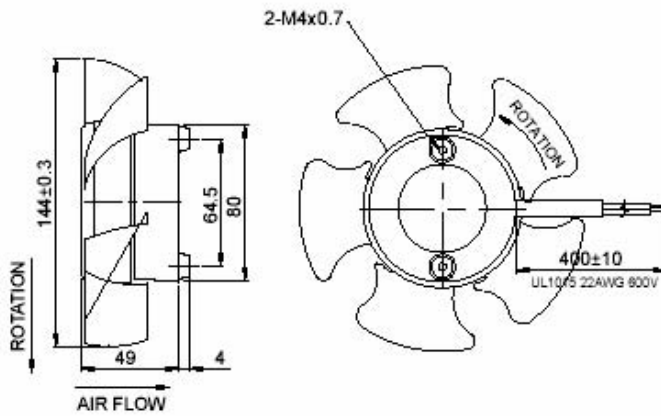
Motor Structure: shaded-pole or capacitor induction motor

Motor protection: Impedance Protected

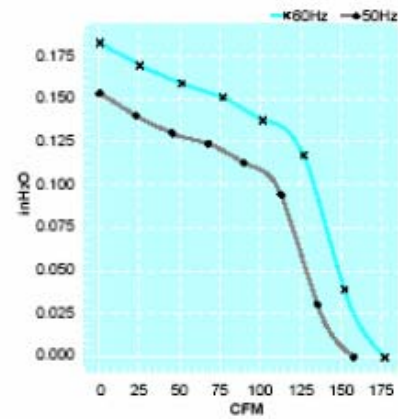
Termination: Lead wire

Weight: 780g / PC,

Dimension (units: mm)



Characteristic Curves



AC Axial Fan

SPECIFICATION

Model	Safety Std.	Voltage (V)	Freq. (Hz)	Power (W)	Speed (RPM)	Air Flow (CFM)	Pressure (in-H2O)	Noise (dB)
CY1155BL	TUV,CE	115	50/60	36/33	2650/2950	160/180	0.16/0.18	48/53
CY2155BL	TUV,CE	230	50/60	36/33	2650/2950	160/180	0.16/0.18	48/53



風速達科技有限公司

電話：07-3634386

電郵：sales@fanmotor.com.tw

傳真：07-3631283

網址：www.fanmotor.com.tw

行動：0929-045065

地址：(81147)高雄市楠梓區盛昌街23巷18號