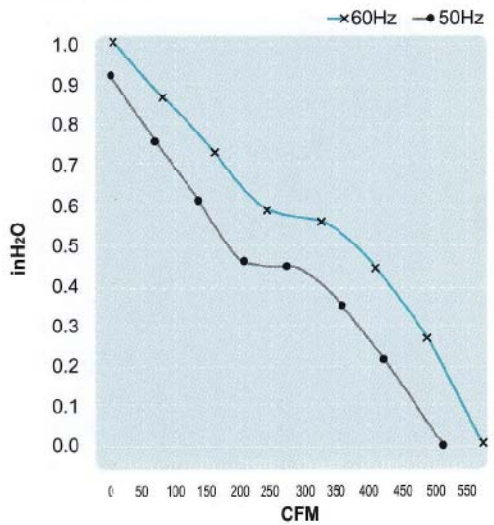
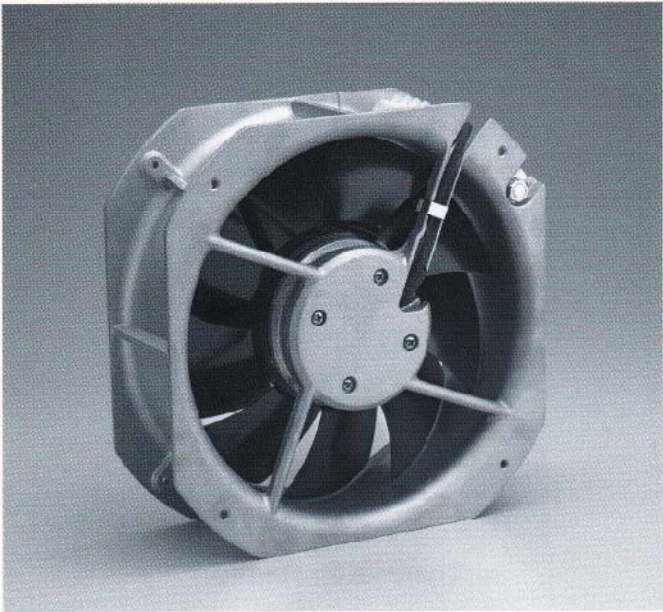
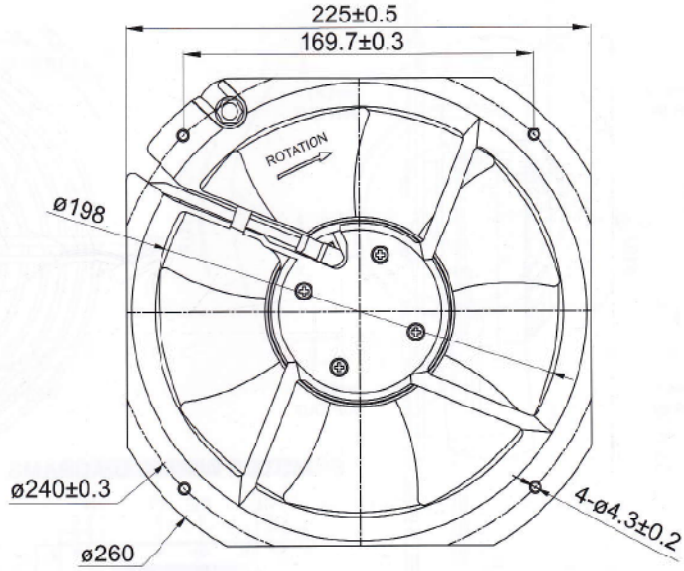
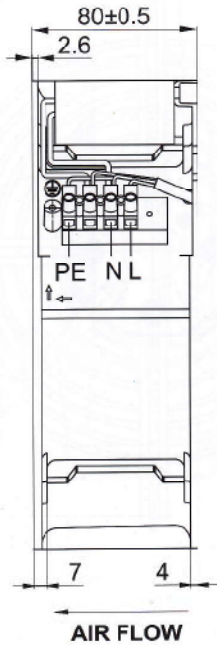


# (Axial Fan)



## Thermal Protection



Spec.	Rated Voltage	Frequency	Input Power	Rated Current	Locked Current	Speed	Maximum Air Flow	Maximum Air Flow	Maximum Pressure	Maximum Pressure	Capacitor	Noise	Weight
Model	V	Hz	W	A	A	RPM	m <sup>3</sup> /min.	CFM	mmH <sub>2</sub> O	InchH <sub>2</sub> O	µF/VDB	dB	kg
UF200BMA11H2C2A	115V	50	73	0.75	1.30	2700	14.7	520	23.3	0.92	8/250	65	2.4
		60	75	0.66	1.40	3100	16.5	580	25.4	1.00		68	
UF200BMA23H2C2A	230V	50	72	0.38	0.62	2700	14.7	520	23.3	0.92	2/450	65	2.4
		60	77	0.34	0.63	3100	16.5	580	25.4	1.00		68	