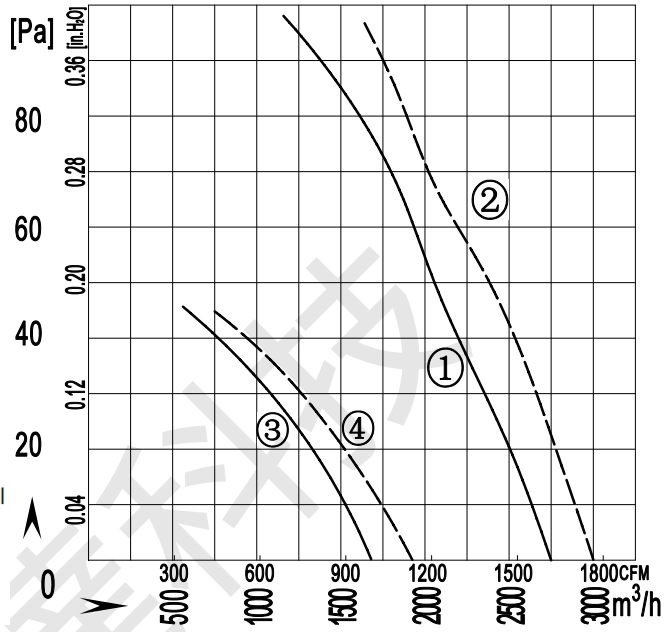




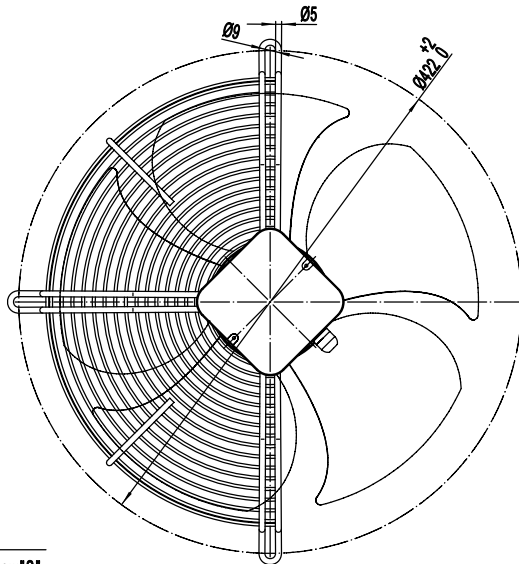
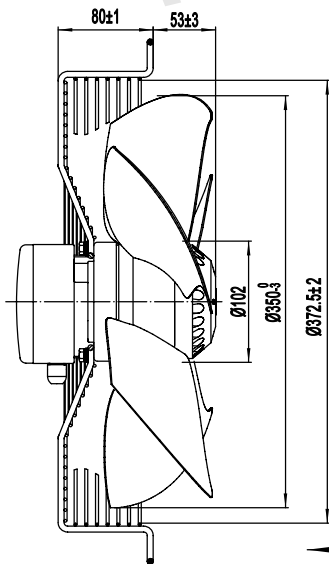
A350-5 External Rotor Motor Axial Fan



風輪材質：冷軋鋼板制成 material: Cold rolled steel
 防護等級：IP54 Protection Class: IP54
 認證：CE Approvals: CE
 絕緣等級：F 級 Insulation class: F



Type	Voltage	Frequency	Current	Input Power	Speed	Capacitor	Air Flow	Noise	Temperature	Curve No.	Approvals
Type	V	Hz	A	W	RPM	μF	m ³ /h / CFM	dB (A)	Min / Max (°C)	#	
FMYWF4S-350	220/230	50	0.60	135	1380	3	2700 / 1588	58	-30 / +60	①	CE, RoHS
		60	0.83	190	1550		3000 / 1765	60		②	
FMYWF4T-350	380/440	50	0.30	135	1380	/	2700 / 1588	58	-30 / +60	①	CE, RoHS
		60	0.34	170	1500		3000 / 1765	60		②	
FMYWF6S-350	220/230	50	0.40	75	950	3	1560 / 920	53	-30 / +60	③	CE, RoHS
		60	0.37	83	1100		1800 / 1060	54		④	
FMYWF6T-350	380/440	50	0.29	70	920	/	1560 / 920	53	-30 / +60	③	CE, RoHS
		60	0.20	80	1050		1800 / 1060	54		④	



Suction
 Direction of airflow "S"