

15x15x4 mm (Ultra) (0.59x0.59x0.16 in)



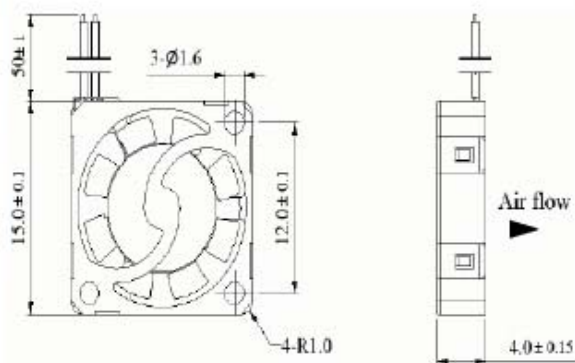
FEATURES

- Extra mini and slim, extremely suitable for portable electronic devices.
- High efficiency and low power.
- Low noise.
- Self-lubricative bearing used for a long service life.

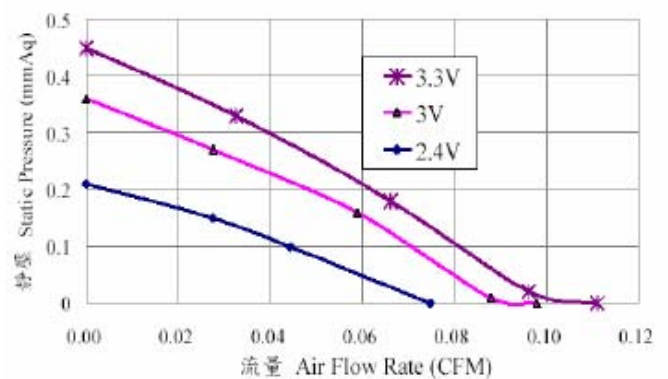
APPLICATIONS:

Wearable dynamic air quality sampling applications, auxiliary temperature control applications, and portable mini projector.

Dimension (units: mm)



Characteristic Curves



SPECIFICATIONS

Model Number	15x15x4 mm (Ultra-low power)
Product Name	Ultra-low Power Atomic Cooler
Bearing	Axially-grooved Bearing
Rated Voltage (VDC)	2.4
Operating Voltage (VDC)	2.4~3.3
Rated Current (mA)	8
Rotation Speed (RPM)	5,000
Air Flow (CFM)	0.07
Static Pressure (mmAq)	0.21
Noise (dB(A))	20
Weight (g)	1.7

- ◆ Specifications subject to change without notice
- ◆ Operating Temperature : -10 ~ +60°C



風速達科技有限公司

電話 : 07-3634386

電郵 : sales@fanmotor.com.tw

傳真 : 07-3631283

網址 : www.fanmotor.com.tw

行動 : 0929-045065

地址 : (81147)高雄市楠梓區盛昌街23巷18號