

18x18x4 mm (0.71x0.71x0.16 in)



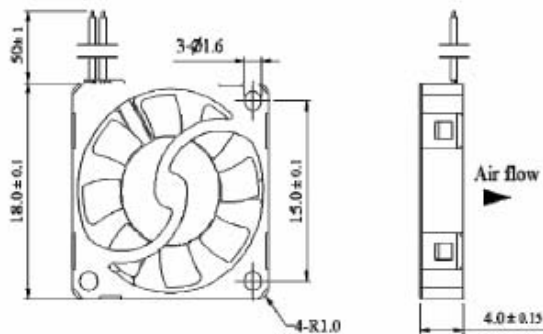
FEATURES:

- Extra mini and slim, extremely suitable for portable electronic devices.
- High efficiency and low power.
- High airflow and low noise.
- Self-lubricative bearing used for a long service life.

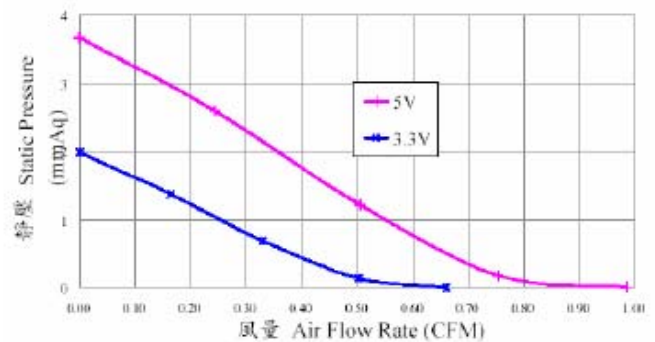
APPLICATIONS:

Our atomic cooler is applicable to cooling of the precise electronic commodities, such as video processing chipset for NB, memory module for desktops and NB, and high-end smart phone/PDA, digital video camcorder and portable mini projector so on.

Dimension (units: mm)



Characteristic Curves



SPECIFICATIONS

Model Number	18x18x4 mm
Product Name	Atomic Cooler
Bearing	Axially-grooved Bearing
Rated Voltage (VDC)	3.3
Operating Voltage (VDC)	2.8~3.6
Rated Current (mA)	< 50
Rotation Speed (RPM)	8,500
Air Flow (CFM)	0.65
Static Pressure (mmAq)	1.95
Noise (dB(A))	25
Weight (g)	1.7

- ◆ Specifications subject to change without notice
- ◆ Operating Temperature : -10 ~ +60°C



風速達科技有限公司

電話 : 07-3634386

電郵 : sales@fanmotor.com.tw

傳真 : 07-3631283

網址 : www.fanmotor.com.tw

行動 : 0929-045065

地址 : (81147)高雄市楠梓區盛昌街23巷18號