



120x120x25mm

- Airflow: 73.0~123.0 CFM
- Static Pressure: 2.6~7.6 mm-H₂O
- Blade / Housing: Plastic Material UL 94V-0 P.B.T.
- Lead Wire: UL1007 #22 AWG
- Weight: 160 g

Model No.	Bearing	Rated Voltage VDC	Operating Voltage Range VDC	Speed RPM	Max. Airflow CFM	Max. Static Pressure mm-H ₂ O	Current mA	Power Consumption W	Life at 40°C L10 Hour	P-Q Curve	Noise Level dB(A)
FD121225LB	2B	12	7~13.2	1800	73.0	2.6	180	2.16	80000	4	34.0
FD121225MB	2B		7~13.2	2200	87.8	3.9	290	3.48	80000	3	40.5
FD121225HB	2B		7~13.2	2600	106.1	5.8	460	5.52	75000	2	44.0
FD121225EB	2B		7~13.2	3000	123.1	7.6	570	6.84	65000	1	49.0
FD241225LB	2B	24	12~26.4	1800	73.0	2.6	100	2.40	80000	4	34.0
FD241225MB	2B		12~26.4	2200	87.8	3.9	160	3.84	80000	3	40.5
FD241225HB	2B		12~26.4	2600	106.1	5.8	280	6.72	75000	2	44.0
FD241225EB	2B		12~26.4	3000	123.1	7.6	390	9.36	65000	1	49.0
FD481225LB	2B	48	24~56.0	1800	73.0	2.6	60	2.88	80000	4	34.0
FD481225MB	2B		24~56.0	2200	87.8	3.9	80	3.84	80000	3	40.5
FD481225HB	2B		24~56.0	2600	106.1	5.8	110	5.28	75000	2	44.0
FD481225EB	2B		24~56.0	3000	123.1	7.6	190	9.12	65000	1	49.0

2B: 2-ball bearing BS: 1-ball 1-sleeve bearing L: sintetico bearing S: sleeve bearing

Voltage Available

05 12 24 48

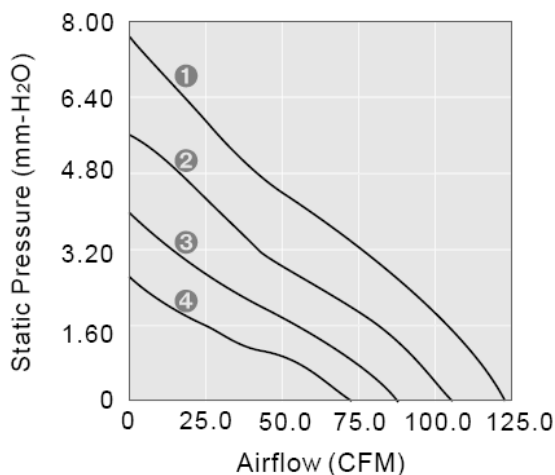
Bearing System Available

2B L S

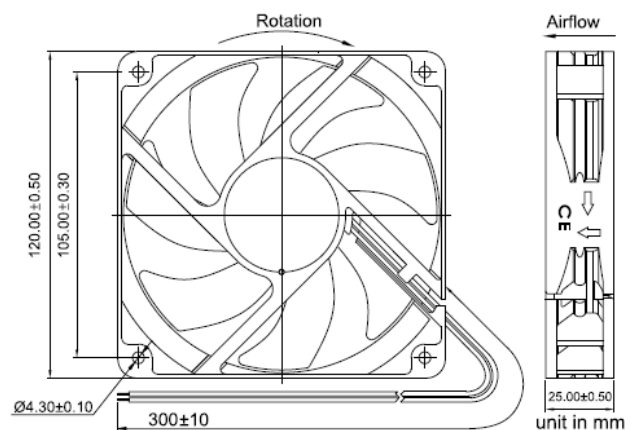
Function Available

N A I F R Q S T M V C P D W U

PERFORMANCE P-Q CURVE



OUTLINE DIMENSIONS



風速達科技有限公司

電話 : 07-3634386

電郵 : sales@fanmotor.com.tw

傳真 : 07-3631283

網址 : www.fanmotor.com.tw

行動 : 0929-045065

地址 : (81147)高雄市楠梓區盛昌街23巷18號