



120x120x32mm

- Airflow: 83.3~137.0 CFM
- Static Pressure: 4.3~9.4 mm-H₂O
- Blade / Housing:
Plastic Material UL 94V-0 P.B.T.
- Lead Wire: UL1007 #22 AWG
- Weight: 219 g

Model No.	Bearing	Rated Voltage	Operating Voltage Range	Speed	Max. Airflow	Max. Static Pressure	Current	Power Consumption	Life at 40°C L10	P-Q Curve	Noise Level
		VDC	VDC	RPM	CFM	mm-H ₂ O	mA	W	Hour		dB(A)
FD121232LB	2B	12	7~13.2	2100	87.7	4.2	330	3.96	80000	4	39.5
FD121232MB	2B		7~13.2	2500	99.0	6.0	450	5.40	80000	3	42.5
FD121232HB	2B		7~13.2	2900	115.0	8.0	580	6.96	75000	2	47.5
FD121232EB	2B		7~13.2	3300	137.3	9.4	840	10.08	65000	1	49.0
FD241232LB	2B	24	12~26.4	2100	87.7	4.2	150	3.60	80000	4	39.5
FD241232MB	2B		12~26.4	2500	99.0	6.0	200	4.80	80000	3	42.5
FD241232HB	2B		12~26.4	2900	115.0	8.0	290	6.96	75000	2	47.5
FD241232EB	2B		12~26.4	3300	137.3	9.4	400	9.60	65000	1	49.0
FD481232LB	2B	48	24~56.0	2100	83.3	4.3	68	3.26	80000	4	39.5
FD481232MB	2B		24~56.0	2500	99.0	6.0	110	5.28	80000	3	42.5
FD481232HB	2B		24~56.0	2900	115.0	8.0	190	9.12	75000	2	47.5

2B: 2-ball bearing BS: 1-ball 1-sleeve bearing L: sintetico bearing S: sleeve bearing

Voltage Available

05 12 24 48

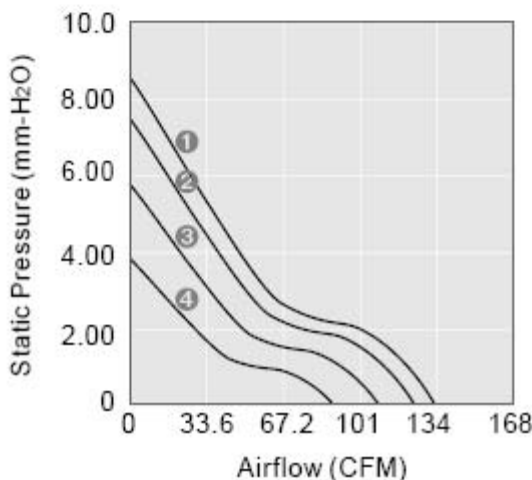
Bearing System Available

2B L S

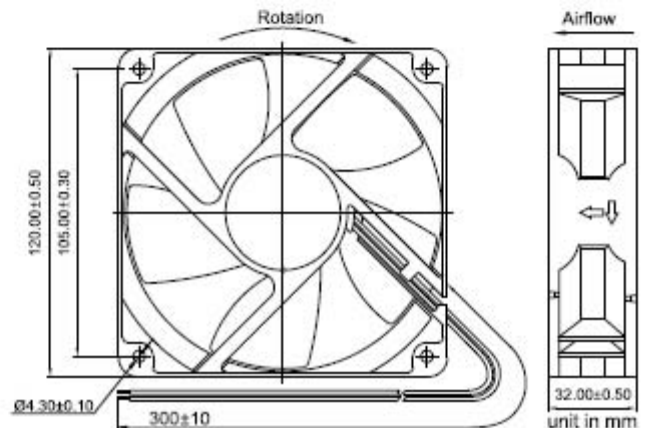
Function Available

N A I F R Q S T M V C P D W U

PERFORMANCE P-Q CURVE



OUTLINE DIMENSIONS



風速達科技有限公司

電話 : 07-3634386

電郵 : sales@fanmotor.com.tw

傳真 : 07-3631283

網址 : www.fanmotor.com.tw

行動 : 0929-045065

地址 : (81147)高雄市楠梓區盛昌街23巷18號