



120x120x38mm

- Airflow: 89.5~135.0 CFM
- Static Pressure: 3.9~8.6 mm-H₂O
- Blade / Housing: Plastic Material UL 94V-0 P.B.T.
- Lead Wire: UL 1007 #22 AWG
- Weight: 220 g

Model No.	Bearing	Rated Voltage	Operating Voltage Range	Speed	Max. Airflow	Max. Static Pressure	Current	Power Consumption	Life at 40°C L10	P-Q Curve	Noise Level
		VDC	VDC	RPM	CFM	mm-H ₂ O	mA	W	Hour		dB(A)
FD121238LB	2B	12	7~13.2	2000	89.5	3.9	320	3.84	80000	4	36.0
FD121238MB	2B		7~13.2	2400	107.7	5.8	420	5.04	80000	3	41.0
FD121238HB	2B		7~13.2	2800	125.5	7.6	660	7.92	75000	2	45.0
FD121238EB	2B		7~13.2	3000	135.0	8.6	830	9.96	65000	1	47.0
FD241238LB	2B	24	12~26.4	2000	89.5	3.9	150	3.60	80000	4	36.0
FD241238MB	2B		12~26.4	2400	107.7	5.8	250	6.00	80000	3	41.0
FD241238HB	2B		12~26.4	2800	125.5	7.6	360	8.64	75000	2	45.0
FD241238EB	2B		12~26.4	3000	135.0	8.6	410	9.84	65000	1	47.0
FD481238LB	2B	48	24~56.0	2000	89.5	3.9	120	5.76	80000	4	36.0
FD481238MB	2B		24~56.0	2400	107.7	5.8	140	6.72	80000	3	41.0
FD481238HB	2B		24~56.0	2800	125.5	7.6	180	8.64	75000	2	45.0
FD481238EB	2B		24~56.0	3000	135.0	8.6	210	10.08	65000	1	47.0

2B: 2-ball bearing BS: 1-ball 1-sleeve bearing L: sintetico bearing S: sleeve bearing

Voltage Available

05 12 24 48

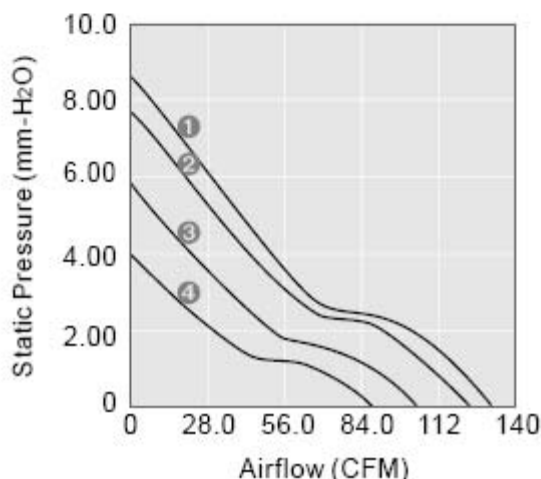
Bearing System Available

2B L S

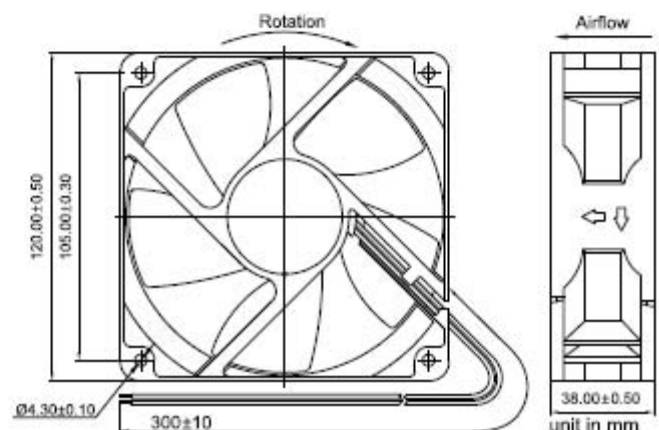
Function Available

N A I F R Q S T M V C P D W U

PERFORMANCE P-Q CURVE



OUTLINE DIMENSIONS



風速達科技有限公司

電話 : 07-3634386

電郵 : sales@fanmotor.com.tw

傳真 : 07-3631283

網址 : www.fanmotor.com.tw

行動 : 0929-045065

地址 : (81147)高雄市楠梓區盛昌街23巷18號